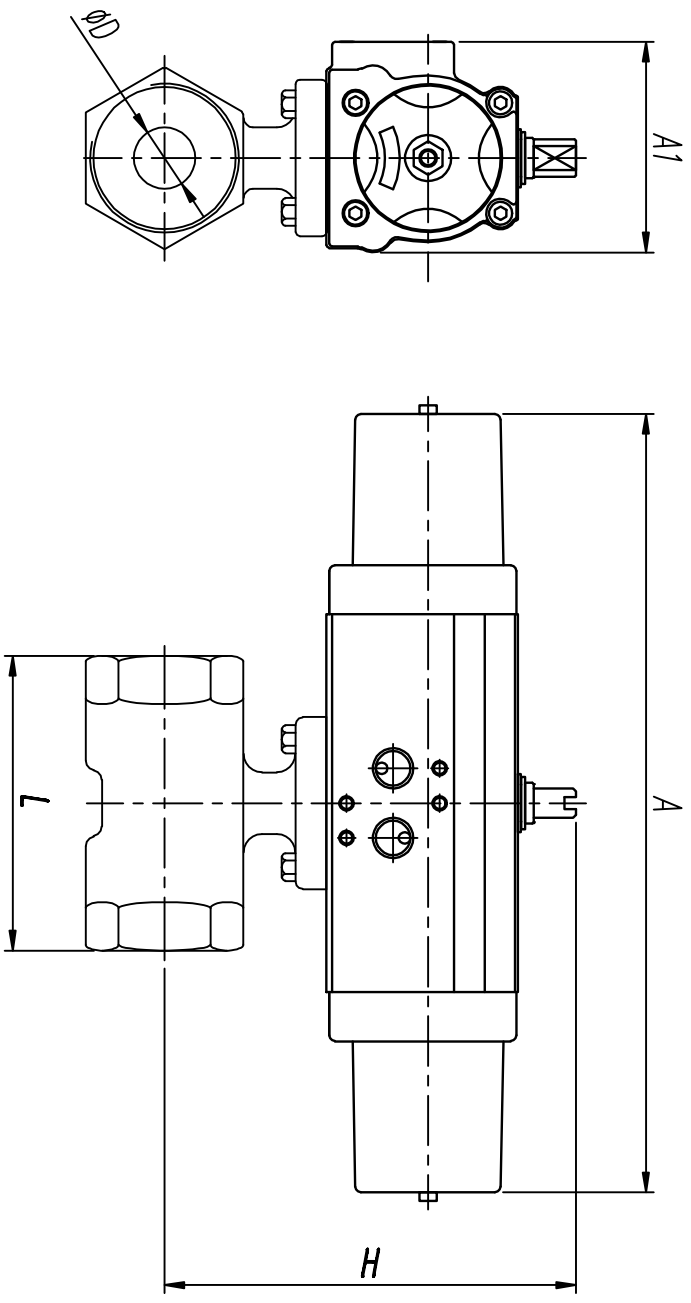
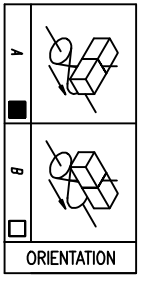
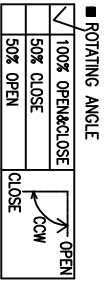


02



NO.	PART NAME	QTY	MATERIAL	REMARK
1	BODY	1	SCS14	
2	BALL	1	SUS316	
3	BACK SEAT	1	PTFE	
4	ACTUATOR	1	TS	KOREAW
5				
6				
7				
8				
9				
10				
11				
12				
13				
14				
15				

TAG NO.



Rev.	Date	Description	Pre.d	Che.d	App.d
Designed by	Checked by	Approved by			
CL. KM					

Title
1-PIECE SCREWED BALL VALVE

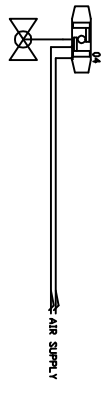
Model	TS40-10S1 ~ TS50-50S1
Drawing no.	A110117-01-02
Size	A4
Scale	N:S
Unit	mm



■ DIMANSION (mm)

MODEL	QTY	ACTUATOR	H (APPROX.)	L±1.6	END CONNECTION	(MAINT- ENCE) 0	(Min WALL THICKNESS) +	WEIGHT (APPROX.)
TS65-50S1	-	329	83	169	100	-	-	-
TS50-40S1	-	268	73	133	82	-	-	-
TS50-32S1	-	268	73	128	78	-	-	-
TS40-25S1	-	110	60	113	71	-	-	-
TS40-20S1	-	110	60	110	59	-	-	-
TS40-15S1	-	110	60	104	56.5	-	-	-
TS40-10S1	-	110	60	98	45	-	-	-

■ INSTALLATION SCHEMATIC



0A. PNEUMATIC ACTUATOR
0B. AIR SUPPLY